

Aaryan Constructions

Manisha C. Bisen

Approved Valuer, B.E. Civil, MBA
Lic. No. W29GONP/05244

Office address

Near Saket School, Gouri Nagar, Ganesh
Nagar, Gondia
Mob. No. 7588807339

CERTIFICATE

This is to Certify that the estimate cost for Proposed construction for
"BORKANHAR FARMER PRODUCER CAMPANY LIMITED" of Godown
Shed (Capacity 1000 MT.) is **Rs. 1,15,03,575/-**
**(Rs. One Corer Fifteen Lac Three Thousand Five Hundred & Seventy Five
Only)**



Er. MANISHA BISEN
B.E. CIVIL, MBA
Approved Valuer, Cat-I-A-5970
Ganesh Nagar Gondia .7588807339

NAME OF WORK :- Abstract & Estimate for Proposed construction for "BORKANHAR FARMER PRODUCER COMPANY LIMITED" of Godown Shed . (Capacity 1000 MT.)

Sr. No	PARTICULARS	Nos	L(M)	B(M)	H/D(M)	QTY(Cum)	RATE	AMOUNT
1	Excavation for foundation earth, soils of all types, sand, gravel & soft murum, including removing the excavation material up to a distance of 50 m and necessary back filling, raming, watering, including shoring & strutting as necessary complete. SSR No. 21.01, Page No. 152							
	C.1	44	1.50	1.50	2.40	237.600		
						237.600	217	51559.2
						Cum		
2	Providing and laying in situ cement concrete in 1:4:8 of trap/granite/quartzite/gneiss metal for foundation andfor rendering uneven and honey combed surface only. Newly laid concrete shall be covered by gunny bag, plastic, trapaulin etc. SSR No. 24.01, Page No. 173							
	C.1	44	1.60	1.60	0.15	16.896		
	Floor bed (Godown-1)	1	42.22	13.35	0.15	84.546		
	Floor bed (Godown-2)	1	20.88	7.16	0.15	22.425		
						123.867	5449	674949.4848
						Cum		
3	Providing and laying in situ/Ready Mix cement concrete M20 of trap/granite/quartzite/gneiss metal for R.C.C. work in foundations like raft, strip foundations, grillage and footings of R.C.C. columns and steel stanchions etc. including bailing out water, Steel centering formwork, laying/pumping cover blocks, compaction and curing roughening the surface if special finish is to be provided (Excluding reinforcement and structural steel) etc. complete, with fully automatic microprocessor based PLC with SCADA enabled reversible Drum Type mixer/concrete Batch mix plant (Pan mixer) etc. complete. With fine aggregate (Crushed sand VSI Grade) . SSR No. 25.11, Page No. 176							
	C.1	44	1.50	1.50	0.45	44.550		
						44.550	6440	286902
4	Providing and laying Cast in situ/Ready Mix cement concrete M-20 of trap/granite/quartzite/gneiss metal for R.C.C. columns as per detailed designs and drawing or as directed including steel centering, formwork, cover blocks, laying/pumping, compaction finishing the formed surfaces with cement mortar 1:3 of sufficient minimum thickness to give a smooth and even surface or roughening if special finish is to be provided and curing etc. complete, (Excluding reinforcement and structural steel), with fully automatic microprocessor based PLC with SCADA enabled reversible Drum Type mixer/ concrete Batch mix plant (Pan mixer) etc. complete. With fine aggregate (Crushed sand VSI Grade). SSR No. 25.31, Page No. 177							
	a) below G.L.	C.1	44	0.30	0.45	1.85	10.989	
	a) above G.L.	C.1	44	0.30	0.45	9.51	56.489	
						67.478	12528	845369.40

Er. MANISHA BISEN
B.E. CIVIL, MBA
Approved Valuer, Cat-4-A-5970
Genesh Nagar Gandia, 7800807339

Sr. No	PARTICULARS	Nos	L(M)	B(M)	H/D(M)	QTY(Cum)	RATE	AMOUNT
						Cum		
5	Providing and laying Cast in situ/Ready Mix cement concrete M20 of trap/granite/quartzite/gneiss metal for R.C.C. beams and lintels as per detailed designs and drawings or as directed including steel centering, formwork, cover blocks, laying/pumping, compaction and roughening the surface if special finish is to be provided and curing etc. complete. (Excluding reinforcement and structural steel). with fully automatic microprocessor based PLC with SCADA enabled reversible Drum Type mixer/concrete Batch mix plant (Pan mixer) etc. complete. With fine aggregate (Crushed sand VSI Grade). ssr item no. 25.50, Page No. 179							
	A) at ground level (Godown-1)	2	42.22	0.23	0.45	8.740		
		2	13.35	0.23	0.45	2.763		
	A) at ground level (Godown-2)	1	20.88	0.23	0.45	2.161		
		2	7.16	0.23	0.45	1.482		
						15.146		
	B) At Lintel Level (Godown-1)	2	42.22	0.23	0.30	5.826		
		2	13.35	0.23	0.30	1.842		
	A) at Lintel level (Godown-2)	1	20.88	0.23	0.45	2.161		
		2	7.16	0.23	0.45	1.482		
						11.312		
	Net			15.15	11.31	26.458	11104	293790.19
						Cum		
6	Providing second class Burnt Brick masonry with conventional/I.S. type bricks in cement mortar 1:6 in foundations and plinth of inner walls/in plinth external walls including bailing out water manually, striking joints on unexposed faces, raking out joints on exposed faces and watering etc. Complete. Ssr Item No. 27.01, Page No. 193							
	Godown-1	2	42.22	0.23	1.20	23.305		
		2	13.35	0.23	1.20	7.369		
	Godown-2	1	20.88	0.23	1.20	5.763		
		2	7.16	0.23	1.20	3.952		
						40.390	6663	269117.5039
						Cum		
7	Providing second class Burnt Brick masonry with conventional/I.S. type bricks in cement mortar 1:6 in superstructure including striking joints, raking out joints, watering and scaffolding etc. Complete. Ssr Item No. 27.05, Page No. 193							
	Godown-1	2	42.22	0.23	11.28	219.071		
		2	13.35	0.23	9.45	58.032		
	Godown-2	1	20.88	0.23	3.00	14.407		
		2	7.16	0.23	3.00	9.881		
						301.392		

(Handwritten signature)

Sr. No	PARTICULARS	Nos	L(M)	B(M)	H/D(M)	QTY(Cum)	RATE	AMOUNT
	Deduction							
	R.S.D.	2	2.28	0.23	3.900	4.090		
	Door	1	1.20	0.23	2.100	0.580		
	Vantilation	34	1.20	0.23	1.200	11.261		
						15.931		
	Net brick work		301.4		15.93	285.461	6874	1962257.99
						Cum		
						4.090		
8	Providing and laying Cast in situ/Ready Mix cement concrete in M20 of trap/granite/quartzite/gneiss metal for R.C.C. coping to plinth or parapet and sill of doors and windows moulded as per detailed drawings or chamfere as approved by the Engineer including steel centering, form work, cover blocks, laying/pumping, compacting, curing, finishing and roughening them if special finish is to be provided and curing complete. (Excluding reinforcement and structural steel). with fully automatic microprocessor based PLC with SCADA enabled reversible Drum Type mixer/concrete Batch mix plant (Pan mixer) etc. complete. With fine aggregate (Crushed sand VSI Grade), Ssr Item No. 26.23, Page No. 183							
	1 To plinth							
	Godown-1	4	42.22	0.23	0.100	3.884		
		4	13.35	0.23	0.100	1.228		
	Godown-2	2	20.88	0.23	0.100	0.960		
		4	7.16	0.23	0.100	0.659		
						6.732	6519	43883.56116
						Cum		
9	Filling in plinth and floors with contractors approved material/sand or murum in 15 to 20 CM layer including watering and compaction complete. Ssr Item No							
	Godown-1	1	42.22	13.35	0.60	338.182		
	Godown-2	1	20.88	7.16	0.60	89.700		
						427.883	480.00	205383.69
						Cum		
10	Providing internal cement plaster 12mm thick in single coat in cement mortar 1:5 without neeru finish to concrete or brick surfaces, in all positions including scaffolding and curing etc. complete. Ssr Item No. 32.03, Page No. 205							
		2	42.22		11.28	952.483		
		2	13.35		9.45	252.315		
		1	20.88		3.00	62.640		
		2	7.16		3.00	42.960		
						1310.40		
						Sqm		

Boyer

Sr. No	PARTICULARS	Nos	L(M)	B(M)	H/D(M)	QTY(Cum)	RATE	AMOUNT
	Deduction							
	R.S.D.	2	2.28		3.900	17.784		
	Door	1	1.20		2.100	2.520		
	Vantilation	34	1.20		1.200	48.960		
						69.264		
				1310.4	69.26	1241.13	257	318971.4894
						Sqm		
11	Providing sand faced plaster externally in cement mortar using approved screened sand, in all positions including base coat of 15mm thick cement mortar 1:4 using waterproofing compound at 1 Kilogram per cement bag curing the same for not less than 2 days and keeping the surface of the base coat rough to receive the sand faced treatment 6 to 8mm thick cement mortar 1:4 finishing the surface by taking out grains and curing for fourteen days scaffolding etc. complete. Ssr Item No. 32.11, Page No. 205							
	Godown-1	2	42.22		11.28	952.483		
		2	13.35		9.45	252.315		
	Godown-2	1	20.88		3.00	62.640		
		2	7.16		3.00	42.960		
						1310.40		
						Sqm		
	Deduction							
	R.S.D.	2	2.28		3.900	17.784		
	Door	1	1.20		2.100	2.520		
	Vantilation	34	0.60		0.600	12.240		
						32.544		
				1310.4	32.54	1278	599	765434.67
						Sqm		
12	Providing and fixing in position TMT-FE500 bar reinforcement of various diameters for R.C.C. pilecaps, footings, foundations, slabs, beams, columns, canopies, staircase, newels, chajjas, lintels, pardis, copings, fins, arches etc. as per detailed designs, drawings and schedules including cutting, bending, hooking the bars, binding with wires or tack welding and supporting as required complete. Ssr Item No. 26.33, Page No. 186							
	Footing		35.00	235.5		8242.50		
	Column		35.00	235.5		8242.50		
	Beam		26.46	235.5		6230.871		
						22715.9		
						22.716	65117	1479189.36
						Mt		

Disen

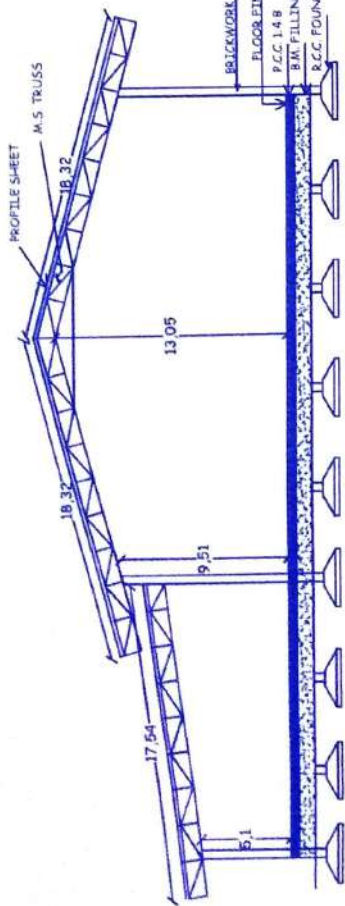
Sr. No	PARTICULARS	Nos	L(M)	B(M)	H/D(M)	QTY(Cum)	RATE	AMOUNT
13	Providing and laying cement concrete flooring 50mm thick with M20 cement concrete laid to proper level and slope in alternate bays including compaction, filling joints, marking line to give the appearance of tiles of 30cm x 30cm or other size laid diagonally/square etc. finishing smooth (with extra cement) in any colour as directed and curing etc. complete. With Crushed Sand. Ssr Item No.33.16, Page No. 210							
	Godown-1	1	42.22	13.35	0.05	28.182		
	Godown-2	1	20.88	7.16	0.05	7.475		
						35.657	423.00	15082.86
						Sqm.		
14	Providing and fixing mild steel grill work for windows, ventilators, etc. 15 Kilogram/Square Metre as per drawing including fixtures necessary welding and painting with one coat of anti-corrosive paint and two coats of oil painting complete.. Ssr Item No.40.02, Page No. 257							
	Ventilation	46	1.200		1.200	66.240		
						66.240	1296.0	85847.04
						Sqm		
15	Providing and fixing rollingshutter fabricated from steel with minimum thickness 0.9mm with lock plate of 3.15mm thickness reinforced with 35x35x5mm angle section fitted with sliding bolts and handles for both sides, deep M.S. channel section of depth and thickness not less than 65mm and 3.15mm respectively with hold fast arrangements, M.S. Bracket plate 300x300x3.15mm minimum size and shape with square bar, suspension shaft of minimum 32mm diameter, hood cover of M.S. sheet not less than 0.9mm thickness and of any size at top and safety devices including mechanical gear operation arrangement consisting of worm gear wheels and worms of high grade cast iron or mild steel and one coat of red lead prime etc. complete. (I.S. 62481979) (Without mechanical gear. Ssr Item No.39.24 Page. No. 242							
		2	2.28		3.90	17.784	4084.0	72629.86
						Sqm		
16	Providing structural steel work in trusses, purlins and members with all bracing, gusset plates etc. as per detail drawing or as directed including cutting, fabricating, hoisting, erecting,, fixing in position, making riveted/bolted/ welded connection and one coat of anti-corrosive paint and over it two coat of oil painting of approved quality and shade complete. Ssr item no.							
	Godown-1							
	Truss	20	@	451		9020		
	Purlins	16	@	115		1843		
	Godown-2							
	Truss	8	@	225		1800		
	Purlins	6	@	58		345		

M. K. Sen

Sr. No	PARTICULARS	Nos	L(M)	B(M)	H/D(M)	QTY(Cum)	RATE	AMOUNT
						13008.2		
						13.008	66850	869598.17
						M.T.		
17	Providing and fixing 22 B.W.G. plain galvanized iron sheets on top of weather shed, including scaffolding, fixing by means of nut and bolts as directed etc. complete. (Bracket of 70 x 45 mm to be paid separately) SSR Item No. 39.88, Page No. 256							
	Godown-1	2	18.32	42.68		1563.795		
	Godown-2	1	17.54	21.34		374.304		
						1938.10	741.00	1436131.21
						Sqm		
18	Providing and fixing valley gutter of 22 B.W.G. (0.8mm) plain galvanized iron sheets 90cm wide with teak wood planking 20mm thick including two coats of coal tar on the upper surface of plank etc. complete. (excluding painting to underside of plank). SSR Item No. 38.09 Page No. 228							
	Godown-1	1	42.68			42.680	1947.0	83097.96
							Rmt.	
						Total	Rs.	9759195.6
	Add 10 % for Electrification						Rs.	487959.78
19	Providing and laying in situ cement concrete in 1:4:8 of trap/granite/quartzite/gneiss metal for foundation andfor rendering uneven and honey combed surface only. Newly laid concrete shall be covered by gunny bag, plastic, tarpaulin etc. SSR No. 24.01, Page No. 173							
	Road work	1	53.00	9.15	0.18	87.291		
						87.291	5449	475648.659
							Cum	
	Providing and laying in situ/Ready Mix cement concrete M20 of trap/granite/quartzite/gneiss metal for R.C.C. work in foundations like raft, strip foundations, grillage and footings of R.C.C. columns and steel stanchion sets including bailing out water, Steel centering formwork, laying/pumping over boulders, compaction and curing roughening the surface if special finish is to be provided (Excluding reinforcement and structural steel) etc. complete, with fully automatic microprocessor based PLC with SCADA enabled reversible Drum Type mixer/concrete Batch mix plant (Pan mixer) etc. complete. With fine aggregate (Crushed sand VSI Grade). SSR No. 25.11, Page No. 176							
	Road work	1	53.00	9.15	0.25	121.238		
						121.238	6440	780769.5
							Rs.	11503573.6
						Say	Rs.	11503575

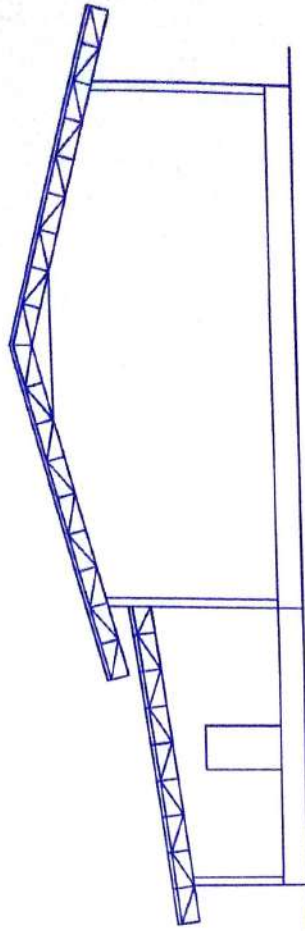
(Rs. One Corer Fifteen Lac Three Thousand Five Hundred & Seventy Five Only)


Er. MANISHA BISEN
 B.E. CIVIL, MBA
 Approved Valuer, Cat-4-A-5970
 Ganesh Nagar Gondla .7588807339



SECTION A-A

ELEVATION



**PROPOSED CONSTRUCTION PLAN OF GODOWN SHEDS
FOR "BORKANHAR FARMER PRODUCER COMPANY
LIMITED"**

NOTE :- ALL DIMENSIONS ARE IN METRE IN SCALE 1:100

COLUMN SIZE = 0.30 X 0.45

OPENING SCHEDULE

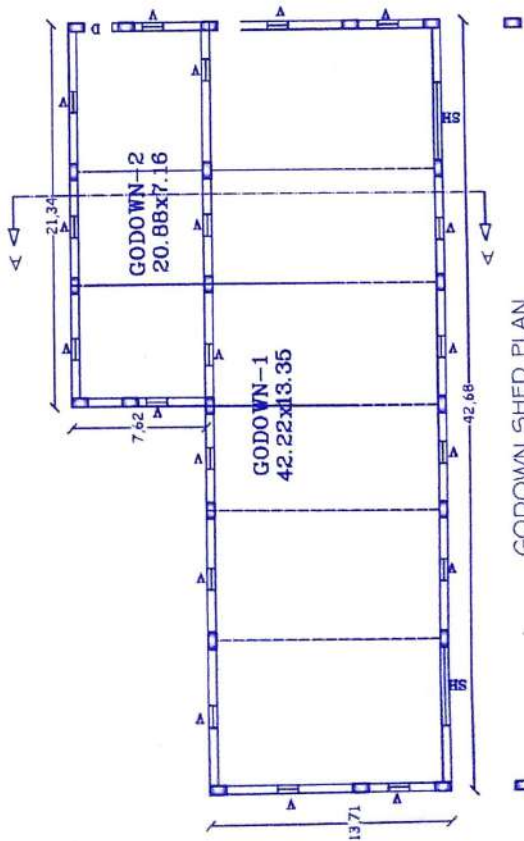
- R.S.D. ROLLING SHUTTER DR - 2.28x3.90
- D. paneled door - 1.20x2.10
- V VENTILATOR - 1.20x1.20

AREA STATEMENT

- 1) GODOWN-1 = 585.14 SQMT.
BUILT UP AREA (6298.44 SQFT.)
- 2) GODOWN-2 = 162.61 SQMT.
BUILT UP AREA (1750.33 SQFT.)
- TOTAL BUILT UP AREA = 747.75 SQMT.
(8048.77 SQFT.)

SANCTION AUTHORITY

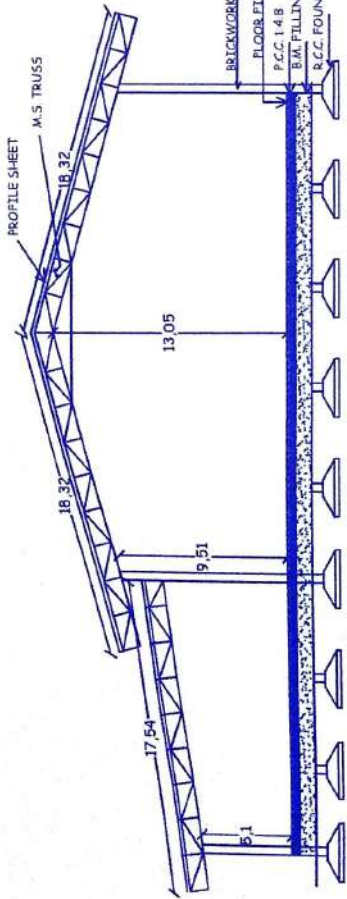
ENGINEER



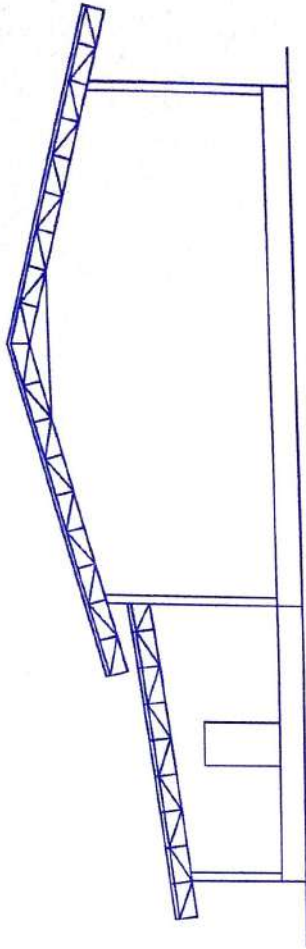
GODOWN SHED PLAN

SCALE 1:100
NORTH

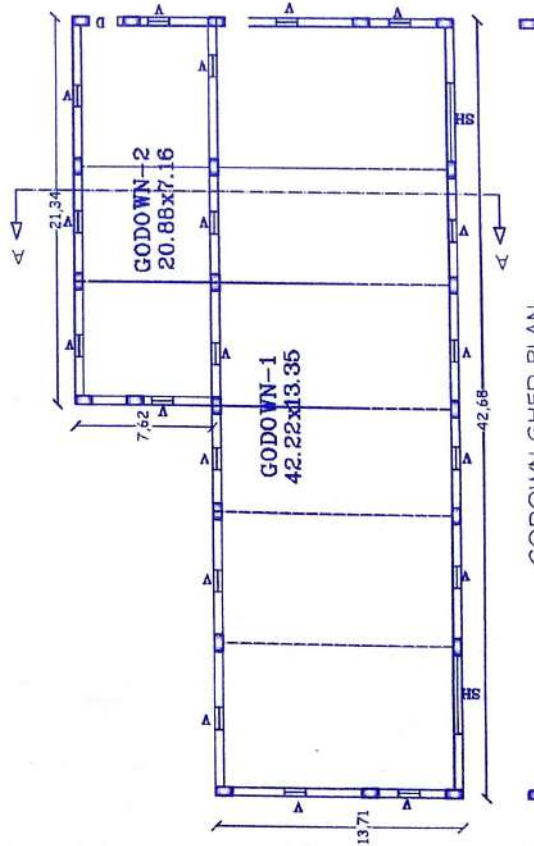
Er. MANISHA BISEN
B.E.CIVIL, MBA
Approved Valuer, Cat-1-A-5970
Ganesh Nagar Gondia, 769807339



SECTION A-A



ELEVATION



GODOWN SHED PLAN

SCALE 1:100
NORTH

PROPOSED CONSTRUCTION PLAN OF GODOWN SHEDS FOR "BORKANHAR FARMER PRODUCER COMPANY LIMITED"

NOTE :- ALL DIMENSIONS ARE IN METRE IN SCALE 1:100 COLUMN SIZE = 0.30 X 0.45

OPENING SCHEDULE		AREA STATEMENT	
R.S.D. ROLLING SHUTTER	DR - 2.28x3.90	1) GODOWN-1	= 585.14 SQMT.
D. paneled door	- 1.20x2.10	BUILT UP AREA	(6298.44 SQFT.)
V. VENTILATOR	- 1.20x1.20	2) GODOWN-2	= 162.61 SQMT.
		BUILT UP AREA	(1750.33 SQFT.)
		TOTAL BUILT UP AREA	= 747.75 SQMT.
			(8048.77 SQFT.)

SANCTION AUTHORITY

ENGINEER

Er. MANISHA BISEN
B.E. CIVIL, MBA
Approved Valuer, Cat-1-A-5970
Ganesh Nagar Gondia .7538807339